



QUICK SPECS

Weight	8,322 lbs
Horsepower	40.9 hp
Bucket Capacity	0.65 yd ³

Never met a challenge it couldn't handle.

Laying down the law on mounds of rocks and dirt, or quickly moving piles of fertilizer from point A to point B is easy when you're working with the power and performance of the V4 articulated wheel loader. Because it's a Yanmar, it comes with a powerful, fuel-efficient 40.9-hp water-cooled diesel engine designed to handle jobs you might think would require a bigger machine. Couple that with a more comfortable, operator-friendly cab and this compact loader always comes up big when you need it most.



INNOVATIVE FEATURES



Rear Axle Oscillation

With Rear Axle Oscillation, you can work quickly and more efficiently on uneven ground because the traction force is transmitted securely to the ground. This ensures the bucket or load remains level in operation. And because the effects of slopes and bumps are minimized, operator fatigue is significantly reduced, too.



Auto Leveler Makes Anyone A Pro

The less time you have to spend engaging multiple operating controls, the faster you'll be able to run through your list of jobs. The simple, single-lever operation of the Auto Leveler automatically places the bucket level on the ground, so the bucket always moves swiftly back to the scooping position after dumping. You get more done in less time.



As Easy As Driving Your Car

A single lever lets you shift easily from forward to reverse. Then just press the accelerator and the V3 will accelerate and change travel speed automatically. Push down on the inching pedal to disconnect the drive force; then release to reconnect the engine. Push the parking brake pedal and a hydraulic cut-off system prevents the machine from moving while the brake is on.

V4-7

POWERFUL, EFFICIENT
40.9-HP WATER-COOLED
INTERIM TIER 4 FINAL
YANMAR DIESEL ENGINE

FULLY AUTOMATIC
ACCELERATOR MODE

FIXED TRAVEL SPEED
MODE FOR ADDED
SAFETY IN RESTRICTED
AREAS

STANDARD, STURDY
REAR COUNTERWEIGHT
MINIMIZES DAMAGE

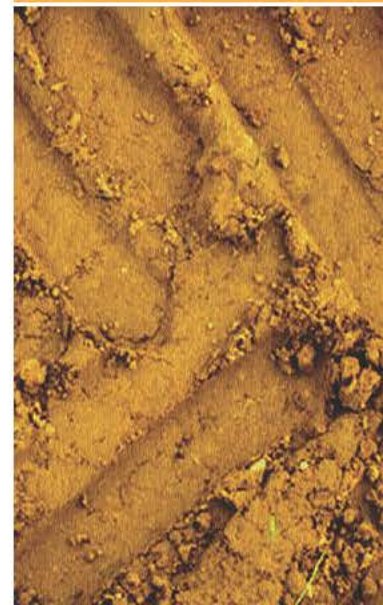
STANDARD PARKING
BRAKE PEDAL WITH
RELEASE LEVER

AUXILIARY HYDRAULICS
W/ PROPORTIONAL
CONTROL STANDARD

STANDARD RECLINING
SUSPENSION SEAT WITH
SEATBELT

EASY MAJOR
COMPONENT ACCESS
FOR DAILY MAINTENANCE

OPTIONAL ENCLOSED
CAB WITH HEAT & A/C



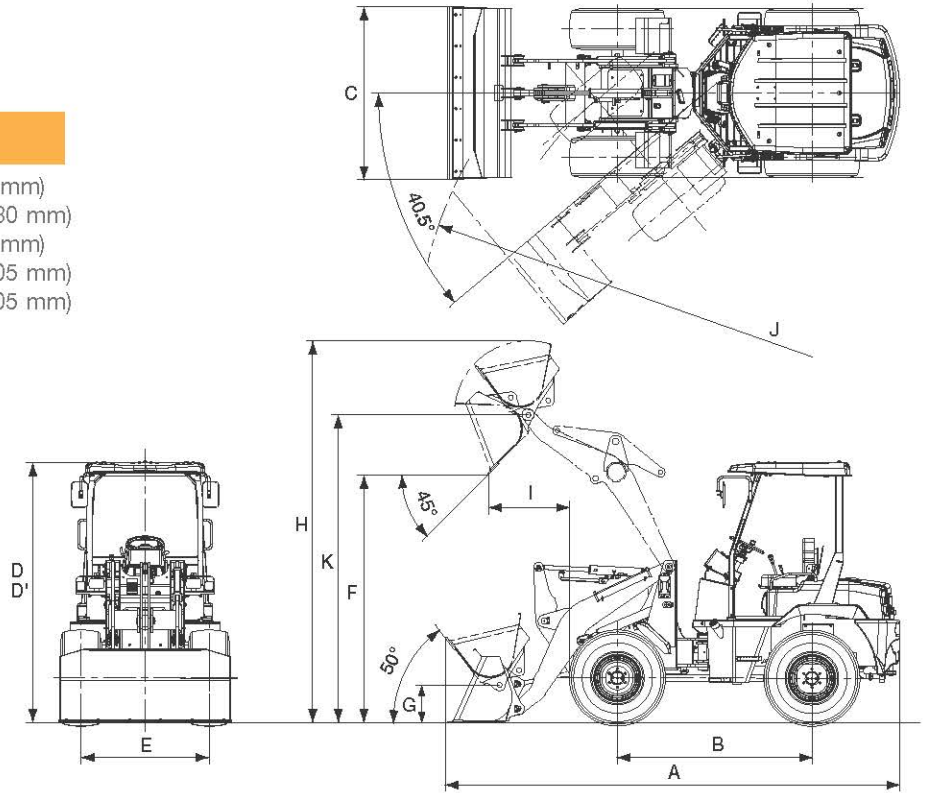
V4-7

Dimensions - V4-7

A 14 ft. 6 in. (4425 mm)	G 1 ft. 3 in. (370 mm)
B 6 ft. 2 in. (1880 mm)	H 12 ft. 3 in. (3730 mm)
C 5 ft. 7 in. (1690 mm)	I 2 ft. 7 in. (790 mm)
D 8 ft. 5 in. (2555 mm)	J 12 ft. 6 in. (3805 mm)
D' 8 ft. 4 in. (2545 mm)	K 9 ft. 10 in. (3005 mm)
E 4 ft. 1 in. (1240 mm)	
F 7 ft. 11 in. (2420 mm)	

D: Canopy Specifications

D': Cabin Specifications



Specifications

Model		V4-7	
Engine	Type	Water-cooled 4-cyl. diesel	
	Model	4TNV88C-NKAH	
	Output	hp (kw)/rpm 40.9 (30.5) / 2500	
	Displacement	in ³ (cm ³) 133.6 (2.189)	
Performance	Standard Bucket Capacity	yd ³ (m ³) 0.65 (0.5)	
	Operating Load	lbs (kN) 2535 (11.2)	
	Lifting Capacity at Low End	lbs (kN) 7451 (33.1)	
	Tipping Load	Straight	lbs (kN) 6070 (27)
		Full Turn	lbs (kN) 5058 (22.5)
	Breakout Force	lbs (kN) 6085 (27.1)	
	Dumping Clearance	ft-in (mm) 7'11" (2420)	
	Traveling Speed	mph (km/h) 11.8 (19.0)	
	Oscillation Angle	degrees ±8	
	Minimum Turning Radius	ft-in (mm) 12'6" (3810)	
Min. Ground Clearance	ft-in (mm) 1'3" (370)		
PTO	Front Hyd. PTO	PSI (kPa) 3000 (20590)	
		GPM (L/min) 14.8 (56.0)	
Steering	Type	Center-Pivot Frame Articulation w/Full Hyd. Power	
	Articulate Angle	degrees 40.5	
Transmission	Type	Automatic Hydrostatic	
Drives	Type	4-Wheel Drive	
Wheels	Type	15.5 / 60 - 18 - 8PR	
Brakes	Type	Fully Enclosed, Mechanical, Wet, Multiple Disc	
Operating Weight	Canopy	lbs (kg) 8014 (3635)	
	Cabin	lbs (kg) 8322 (3774)	
Transport Dimensions	L x W x H	ft-in (mm) 14'6" x 5'7" 8'5" (4425 x 1690 x 2555)	

Please note that the standard equipment may vary from this list. Consult your Yanmar dealer for confirmation.